

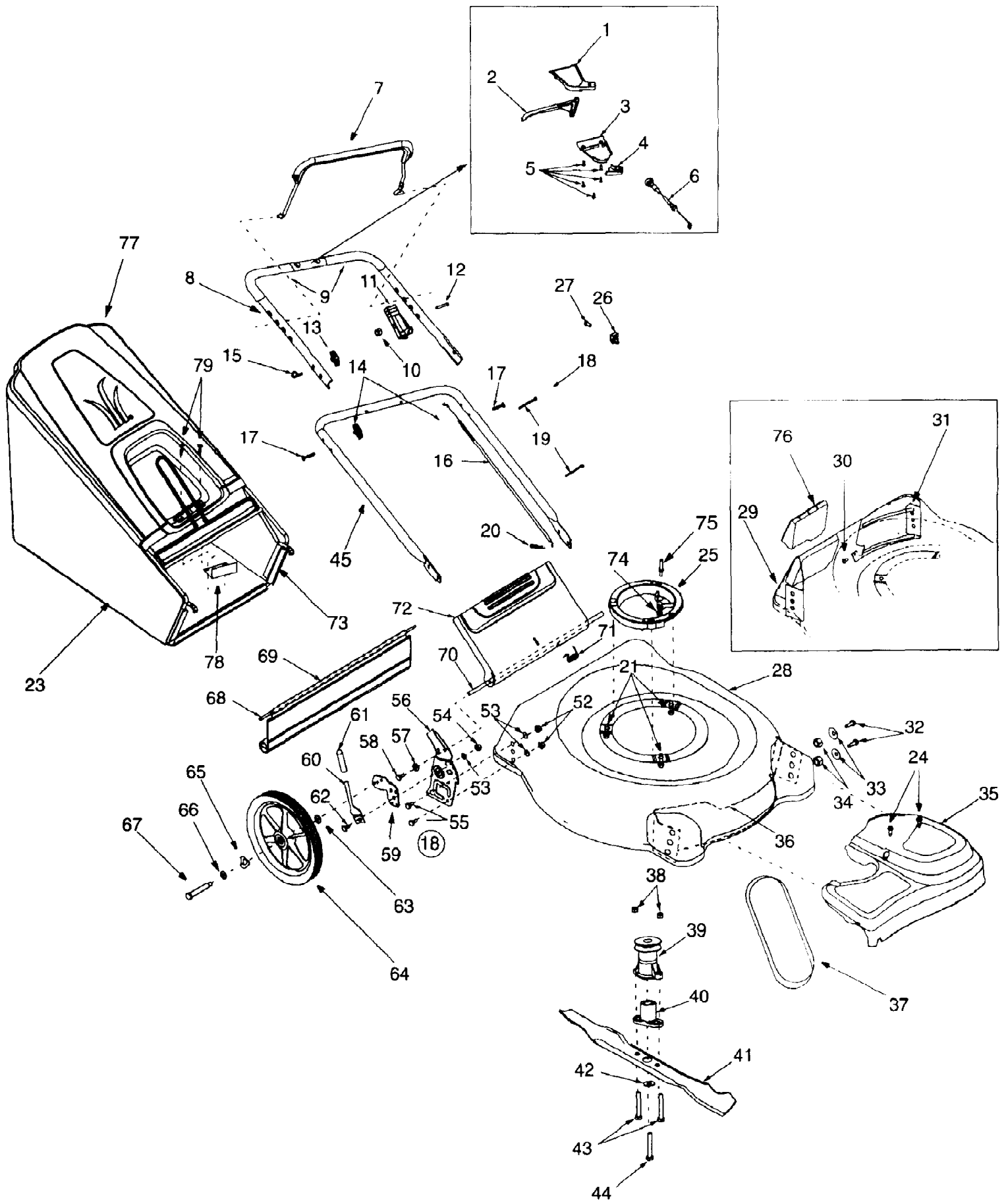
12A-569I190 HW-656 (2000)  
Drive Assembly, Rear

Page 2 of 6

Ref #	Part Number	Qty	S/P/F	Description
1	712-3025	1		Hex Jam Nut 5/16-24
2	736-0425	1	S	Bell Washer .325 x .930 x .045
3	756-1042	1	S	Pulley, 3.82 x .313 x .68
4	736-0425	1	S	Bell Washer .325 x .930 x .045
5	712-0896	1		Lock Nut 1/4-28
6	736-0406	1	S	Flat Washer .442 x 1.38 x .060
7	782-7598	1		Belt Keeper
8	741-0124	1	S	Ball Bearing
9	721-0457	1		Oil Seal
10	750-1050	1		Flange Spacer
11	682-0028	1		Idler Bracket Assembly
12	741-0682A	1	/P	Bearing Sleeve
13	732-0849A	1	S	Extension Spring
14	710-0299	1		Hex Cap Screw 1/4-28 x 1.00
15	736-0570	1	S	Flat Washer .865 x 1.145 x .030
16	741-0699	1		Needle Bearing .438 x .625 x .500
17	721-0325	1		Plug 1/4 x .437
?18	618-0300A	1	/P	Upper Housing
19	721-0329	1	S	Oil Seal .500 x .687 x .094
20	741-0673	1	S	Flange Bearing
21	611-0105	1	S	Output Shaft
22	736-0520	1	S	Flat Washer .504 x .700 x .030
23	717-1492	1		Pinion Shaft 10T
24	736-0314	1	S	Thrust Washer .375 x .70 x .030
25	736-0569	1	S	Thrust Washer .388 x .625 x .062
26	618-0299A	1	/P	Lower Housing
27	741-0672	1		Flange Bearing .378 x .531 x .370
28	710-1276	1	/P	Hex Screw w/Washer 1/4-20 x .750
29	618-0298A	1	S	Transmission Assembly (Includes Ref. # 1 to Ref. #30)
30	732-0708	1		Bearing Retainer
31	741-0604	1	S	Bearing Sleeve .50 I.D.
32	748-0355	1		Bearing Support
33	736-0447	1	S	Wave Washer 1.5 x 1.0 x .029
34	782-0512B	1	S	RH Height Adj. Plate
35	782-0511A	1	S	LH Height Adj. Plate
36	682-0509	1		Pivot Plate Assembly
37	732-0706	1		RH Front Lever
38	732-0707	1		LH Front Lever
39	720-0190	1	S	Knob
40	710-0216	1	/P	Hex Cap Screw 3/8-16 x .75
41	736-0474	1		Washer DD 1.5" O.D.
42	716-0102	1	S	Snap Ring 1.0 dia.
43	782-7551	1	S	Wheel Dust Cap
44	717-1534	1		Gear 14T RH FWD
45	717-1533	1		Gear 14T LH FWD
46	734-1983	1	S	Wheel, 8x2 Black
47	731-0981A	1	S	Hubcap: Gray
48	682-0512A	1	S	RH Height Adj. Complete
49	682-0511A	1	S	LH Height Adj. Complete
50	682-0030	1		Cable Idler Bracket
51	715-0221	1	S	Dowel Pin

12A-569I190 HW-656 (2000)  
Drive Assembly, Rear

Ref #	Part Number	Qty	S/P/F	Description
52	736-3013	1	S	Flat Washer 1/2 x 1.00 x .063
53	714-0101	1	S	Cotter Pin .08 x 1.42
54	738-1002	1		Screw
55	754-0465	1	S	Belt



12A-569I190 HW-656 (2000)  
General Assembly

Page 5 of 6

Ref #	Part Number	Qty	S/P/F	Description
1	731-1057	1	S	Upper Drive Cover
2	731-0620	1	S	Drive Lever
3	731-1058	1	S	Lower Drive Cover
4	731-1059	1	S	Mounting Cap
5	710-0841	1	/P	Screw # 10-12 x .75
6	746-0960	1	S	Drive Cable
7	647-0004	1		Deluxe Control Lever
8	749-0439B	1	S	Upper Handle (Incl. Ref. No. 9)
9	720-0294	1	/P	Foam Grip, 9"
10	712-0234	1		Hex Lock Nut, 1/4-20
11	746-0883	1		Throttle Housing
12	710-1270	1		Oval C-Sunk Screw 1/4-20 x 1.31
13	720-0279	1	/P	Handle Knob
14	720-0276	1	S	Handle Knob
15	710-1205	1	/P	Eye Bolt
16	746-0550	1	S	Control Cable, 39"
17	710-1174	1	/P	Carriage Bolt 5/16-18 x 2.0
18	682-3058	1	S	RH Bracket Ass'y (Incl. Ref. 54, 56, 59, 60 & 62)
	682-3059	1	S	LH Bracket Ass'y (Not shown)
19	726-0240	1	S	Cable Tie
20	714-0104	1	S	Cotter Pin
21	710-1007	1	/P	Self-tapping Screw
23	664-0084	1	S	Grassbag (Ref. 77 Not included)
24	7510042824	1	S	Screw # 12 x .457
25	631-0075	1	S	Engine Spacer
26	751B213146	1	/P	Clamp Casing
27	710-1237	1		Hex Screw TT #10-32 x .625
28	782-0080	1		21" Rear Discharge Deck
29	782-5004	1	S	RH Rear Baffle
30	710-1017	1	/P	Screw AB: 1/4-14: .625
31	782-5003	1	S	LH Rear Baffle
32	710-0216	1	/P	Hex Screw 3/8-16 x .75
33	736-0331	1	/P	Bell Washer .39 x 1.13 x .062
34	712-0798	1	/P	Hex Nut 3/8-16
35	731-2101A	1	/P	Transmission Cover (Gray)
36	782-5002	1	S	Front Baffle
37	754-0465	1	S	V-Belt, 3/8 x 35.68"
38	712-0324	1	/P	Hex Nut 1/4-20
39	756-1146	1	S	Drive Pulley
40	748-0411	1		Blade Adapter
41	742-0741	1	S	21" Mulching Blade
42	736-0452	1	S	Flat Washer .516 x 1.5 x .134
43	710-0606	1	/P	Hex Screw 1/4-20 x 1.50
44	710-1257	1	/P	Hex Screw 3/8-24 x 2.50
45	749-0907A	1	S	Lower Handle
52	712-0798	1	/P	Hex Nut 3/8-16
53	736-0356	1	S	Bell Washer.39 I.D. x 1.38 O.D.
54	712-3005	1	S	Hex Flange Lock Nut 3/8-16
55	710-0896	1	/P	Hex Scr. w/Washer 1/4-14 x .625
56	682-3056A	1	/P	RH Handle Bracket
	682-3057A	1	S	LH Handle Bracket (Not shown)

12A-569I190 HW-656 (2000)  
General Assembly

Page 6 of 6

Ref #	Part Number	Qty	S/P/F	Description
57	736-0270	1	/P	Bell Washer .265 x .75 x .062
58	710-0599	1	/P	Hex Screw TT 1/4-20 x .500
59	17488A	1	/P	RH Pivot Bar
	17489A	1	/P	LH Pivot Bar (Not shown)
60	732-0866	1		Height Adj. Lever
61	720-0312	1		Foam Grip
62	738-0507B	1	S	Shoulder Scr .500 Dia. x .434
63	736-0105	1	/P	Washer .401 x .870 x .063
64	734-1861	1	/P	Wheel, 14 x 2 Gray (Link Trd.)
65	736-0182	1	/P	Spring Washer.50 I.D. x 1.0 O.D.
66	736-0456	1	S	Flat Washer .510 x 1.373 x .04
67	738-0481	1	S	Shoulder Screw
68	732-0700	1	/P	Wire
69	731-1236	1	S	Rear Trailing Shield
70	747-0996	1		Pivot Rod
71	732-0809	1	S	Torsion Spring
72	782-7599A	1	S	Rear Discharge Door
73	747-0995A	1	S	Grasscatcher Frame
74	712-0271	1	/P	Hex Nut
75	711-1293	1	/P	Screw
76	782-5007	1	S	Plastic Mulching Baffle
77	731-0066	1	/P	Hardtop w/ logo
78	782-9050	1	S	Grassbag Mtg. Bracket
79	710-1348	1	/P	Screw, 1/4-20
	751B281451	1	/P	Engine Shroud (Not shown)